

## LED Panel Light Specification List



**Product Name: LED Panel Light**

**Model No: YZS-PN6060-36W**



# 深圳市亿智顺科技有限公司

Shenzhen Wisdom shun Technology Co., Ltd

工厂地址：深圳市龙岗区中海信科技园 14D

Website: [www.yzshun.com](http://www.yzshun.com)

办公地址：深圳市龙岗区华南城 5 号交易中心 1D090

E-mail : [info@yzshun.com](mailto:info@yzshun.com) Tel: + 86 755 36960879

## **\*\* Contents \*\***

1. Product Description .....	2
2. Application .....	2
3. Technical Parameter .....	3
4. Dimension .....	4
5. Luminous Distribution Diagram .....	4
6. Illuminance Diagram .....	5
7. LED Life Prediction .....	5
8. Package .....	6
9. Installation Method .....	7
10. Attention on Installation .....	8
11. Notes on using .....	8
12. Maintenance Suggestion .....	8



# 深圳市亿智顺科技有限公司

Shenzhen Wisdom shun Technology Co., Ltd

工厂地址：深圳市龙岗区中海信科技园 14D

Website: [www.yzshun.com](http://www.yzshun.com)

办公地址：深圳市龙岗区华南城 5 号交易中心 1D090

E-mail : [info@yzshun.com](mailto:info@yzshun.com) Tel: + 86 755 36960879

---

## Product Description

- Super slim design, save 70% energy, High efficiency 80LM/W with uniformed luminance.
- Life span: 6000 hours
- Input voltage: AC170-240V
- Instant start, no noise, no flickering
- New high efficiency constant current driver.
- Professional circuit design, each group of LEDs work separately to avoid any problem of lighting output caused by single faulty LED.
- No electrical wave interference, confirm to the standard of CE.
- No plumbum, green environment friendly, confirm to the standard of RoHS.
- No RF interference.

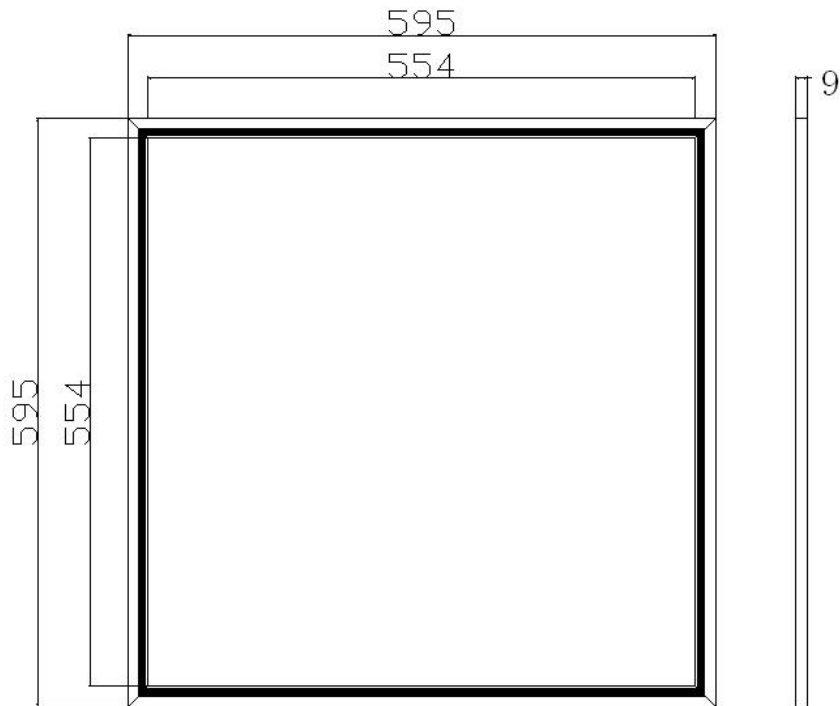
## Application Scope

Hotel	Meeting Room	Factory & Office
Commercial Purpose	Residential & Institution	School
Hospital	Other lighting location	

## Technical Parameter

No	Parameter	
01	Szie	595*595*9mm
02	Input Voltage	AC 170-240V
03	Working Voltage	≤50V
04	Power	□36W
05	Luminous	≥2800 lm
06	Power Efficiency	≥80 lm/w
07	Color	Warm/Natural/Cool White
08	Color Temp	<input type="checkbox"/> WW / Warm White <b>2800-3200K</b> <input type="checkbox"/> NW / Natural White <b>4000-4500K</b> <input type="checkbox"/> CW / Cool White <b>6000-6500K</b>
09	CRI	≥70Ra
10	LED Qty	180 PCS
11	LED Type	4014
12	Life Span	6000 Hours
13	Operating Temp	-20°C — 50°C
14	Storage Temp	-20°C — 60°C
15	Net Weight	2 KG
16	Gross Weight	2.2 KG
17	IP	IP 40

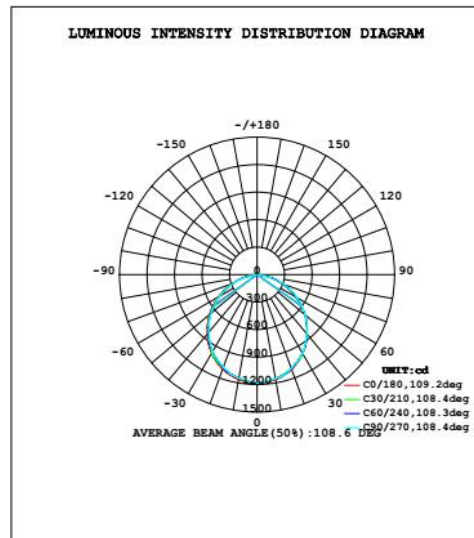
## Product Dimension:



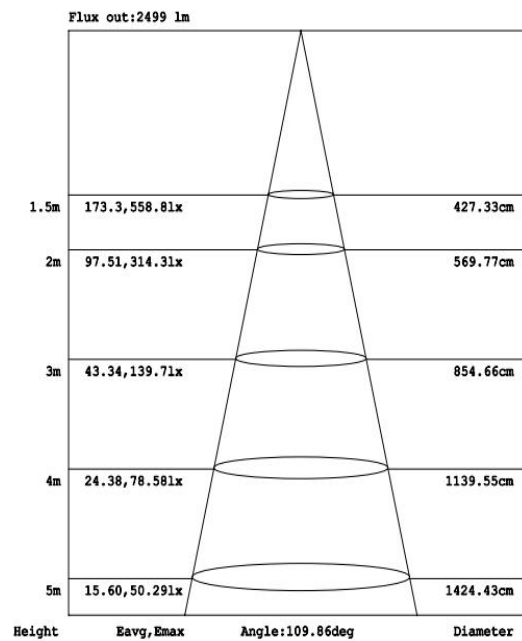
### Remarks:

1. The above dimension are based on “mm”
2. There is a tolerance about  $\pm 0.5\text{mm}$

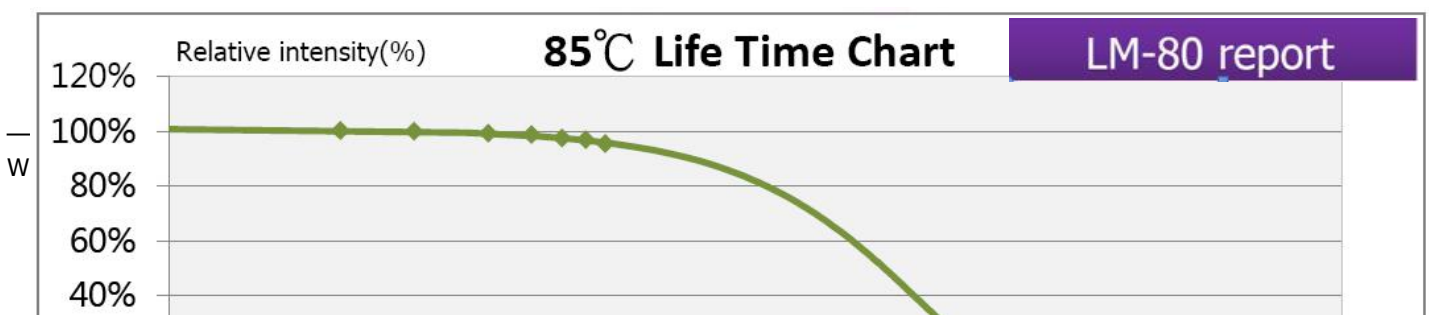
## Luminous Distribution Diagram:



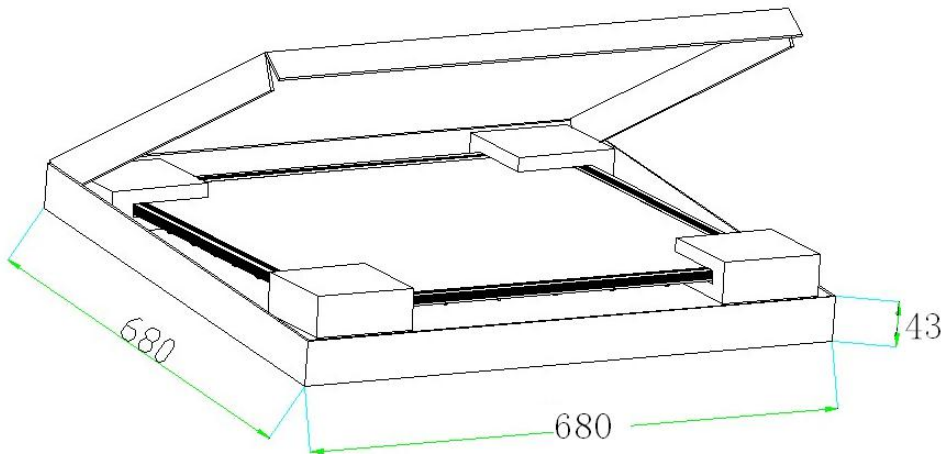
## Illuminance Diagram :

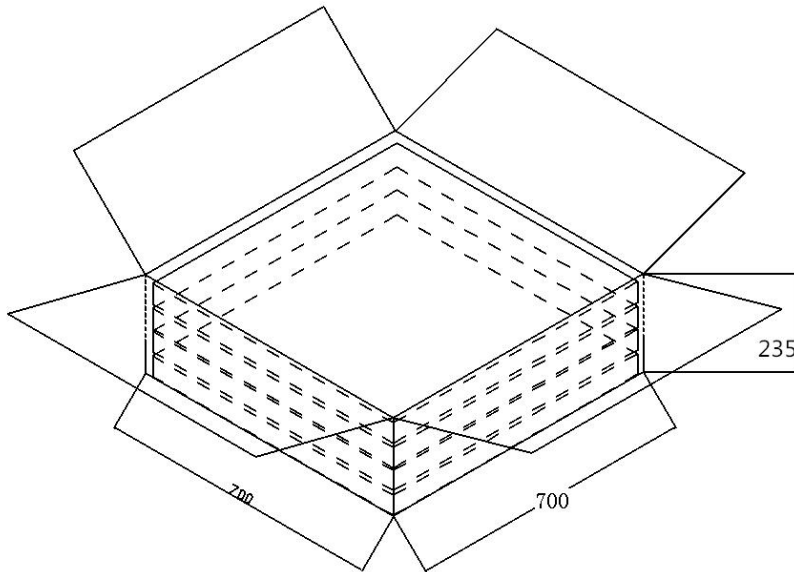


## LED Life Prediction



## Package:





## Packing Size:

Inner Box: 680×680×43mm (1pcs/box)    Net Weight: 2KG    Gross Weight: 2.2KG

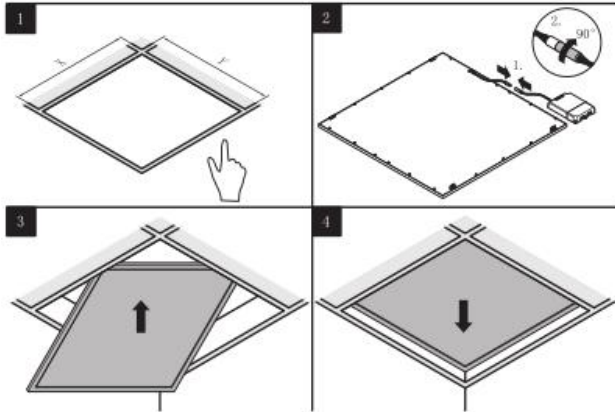
Carton: 700×700×235mm (10boxes/carton)    Net Weight: 20KG    Gross Weight: 22KG

5boxes packed in a Carton

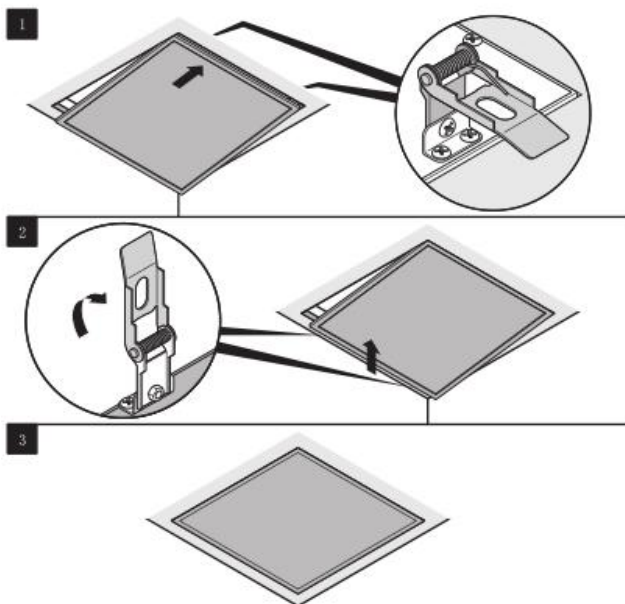
## Installation Method:



### Embedded installation

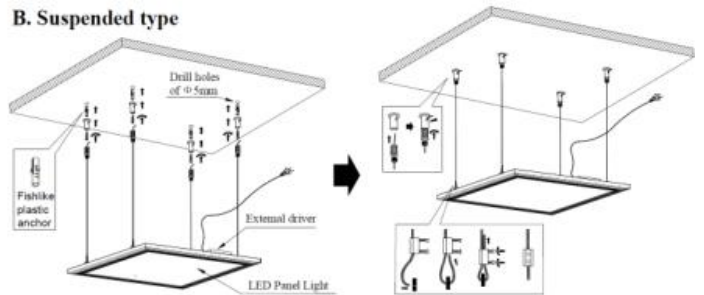


### Spring mounting

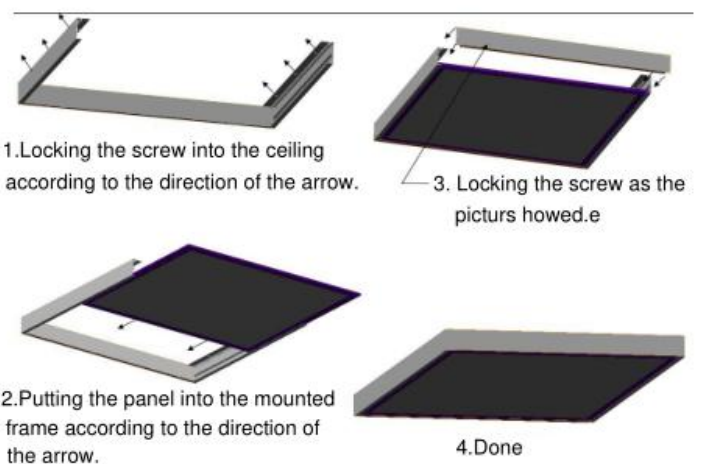


### Suspended type

#### B. Suspended type



### Ceiling surface mounted



## Attention on Installation:

1. Panel lights should be installed by trained electronic technician.
2. Please check all the accessories when open the cartons.
3. The distance between the light and any flammable materials must be more than 0.2m. The distance between the upper part of the installed light and the ceiling must not be less than 2 cm. Lamps can't be installed in walls or ceilings, keep away from heat sources, low and high voltage cables should be laid separately.
4. Guide the lights' connecting cables through the drilled hole, and fix the surface-mounted lights with the pre-fitted clips. Make sure that these are securely connected to the base material.
5. When laying the cables, make sure that the cables and plugs are not subjected to any tensile or twisting forces. Do not kink cables. Output cables should be laid separately and at a distance from other cables.
6. After installation, connect the transformer to the mains supply
7. Proceed by connecting the wiring cables to the lights. Usually, the brown (or black) wire is the Live wire, connect it with the terminal marked "L". The blue wire is Naughty wire; connect it with the terminal marked "N".
8. Use the dedicated LED drivers only, do not connect to other loads
9. Do not remove the label of the lights and drivers.

## Notes on Using:

1. Please always use the light out of its package.
2. Before starting use of the light, please check if the light was damaged during transportation. If any damage shown, please DO not install or use it.
3. Any maintenance should be performed by trained professionals only.
4. Keep packaging material away from the reach of children and pets.
5. Caution: Keep children away from the lights, there are some small components that may be swallowed by children, and never allow them to play with electrical devices.
6. Try to avoid looking directly at lights for a long time. Do not shine the LED light in another person's eyes.
7. Never cover the lights by other objects
8. Keep the panel light away from the flames or heat sources.
9. The lights should be inspected repaired or special treatment if beyond service time.
10. Non-professionals are not allowed to disassemble and maintain the products. We have the right not to provide after-sale service if unauthorized disassembly and maintenance happens to the products.

## Maintenance:

1. Before to clearing the panel lights, please make sure it have been powered OFF.
2. Use a dry or slightly moistened cloth for cleaning.
3. Never use any chemicals or abrasives for cleaning.